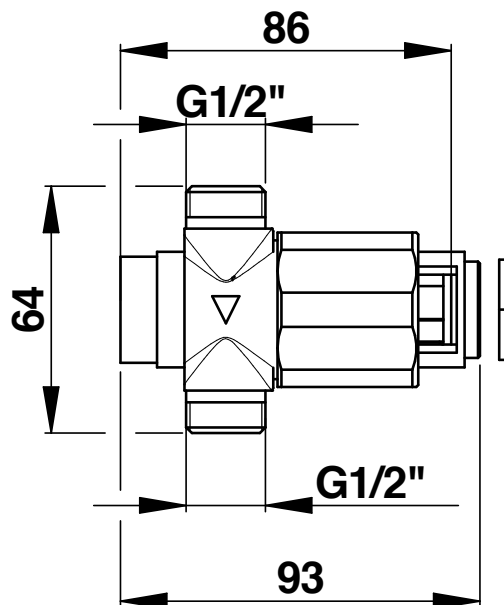
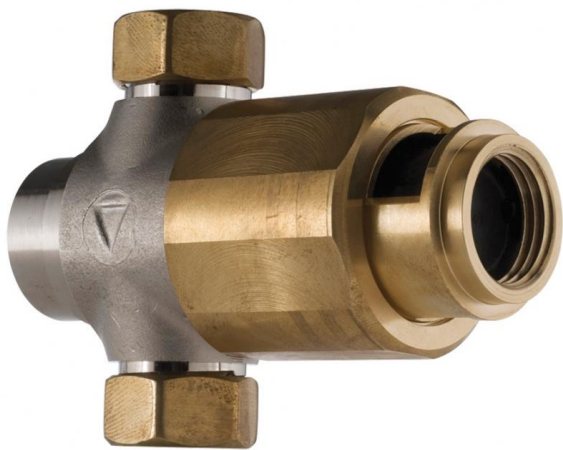


# TECHNICAL DATA SHEET

**PRESTO®**

**Range:** CROSS PARTITION SHOWER CONTROL

**Ref:** 38370 - Presto 500 S tap for cross partition shower - tap only



**> Working pressure :**

- 1 to 5 bar

**> Flow :**

- 5 l/min at 3 bar with delivered flow limiter
- Anti-water-hammering design

**> Flow time :**

- Adjustable by washer 30 second (-10/+5seconds) timer

**> Hydraulic supply :**

- Inlet M G 1/2" (15x21) - Cold or premixed water

**> Thermal resistance :**

- Resistant to a temperature of 75°C for 30-minute-thermal-shocks

**> Security :**

- Patented anti-blocking "S" system to avoid the water to flow continuously

**> Delivered with :**

- 2 washers for flow time adjustment
- 1 Flow limiter
- 1 Nut 1/2" (15x21)

**> Standards & approvals :**

- Brass body in accordance with EN 1982, EN 12164, EN 12165
- 200-hour neutral salt spray resistant (NSS) in accordance with ISO 9227

